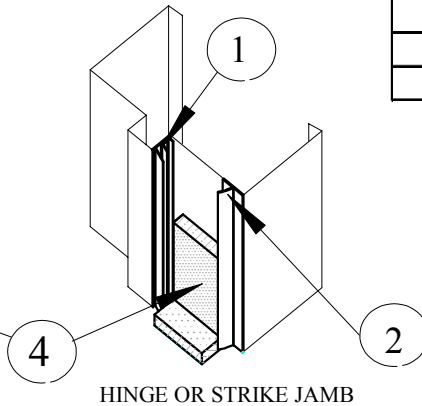
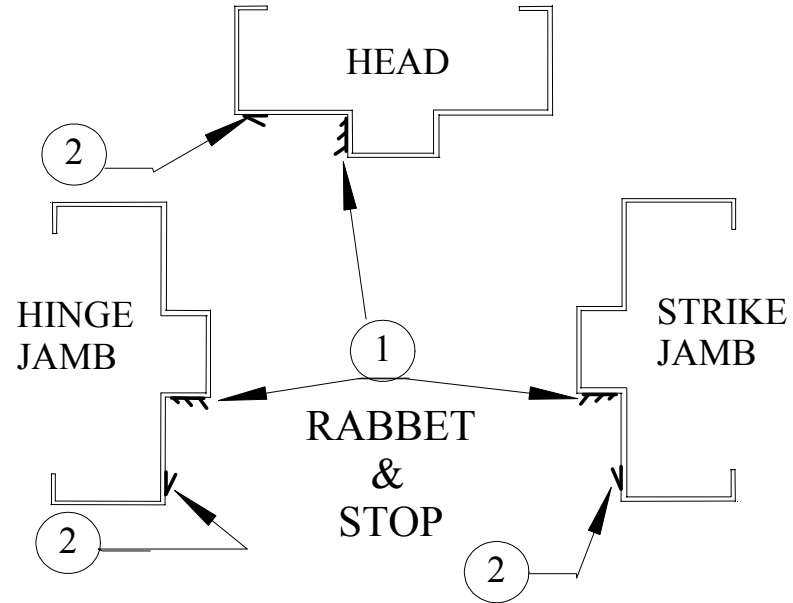
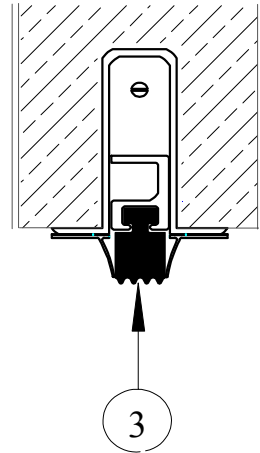
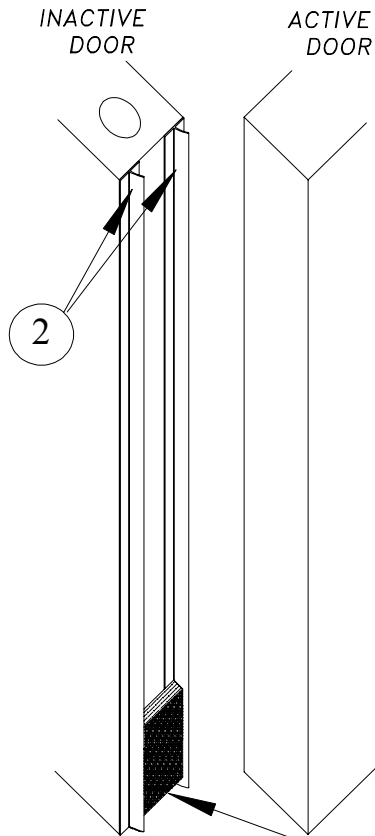


**MEETING EDGE  
DETAIL FOR PAIRS**



NOTE: ACOUSTICAL FOAM PADS ARE TO BE INSTALLED ON BOTH JAMB LEGS WHERE THEY MEET THE FLOOR OR THRESHOLD BENT AND ADHERED TO BOTH AS SHOWN.

ITEM NO.			
1	NGP	5075	ADHESIVE GASKETING
2	NGP	5060	ADHESIVE GASKETING
3	NGP	335S X STC2	AUTOMATIC DOOR BOTTOM
4	NGP	60FP	ACOUSTICAL FOAM PAD

**NOTES;**

1. THIS DRAWING REFERS TO SEAL ORIENTATION ONLY.
2. REFER TO SEAL MANUFACTURERS INSTALLATION INSTRUCTIONS FOR APPROPRIATE INSTALLATION TECHNIQUE AS DETERMINED PER SEAL BEING USED.
3. DRAWING NOT TO SCALE.
4. OREGON DOOR COMPANY RESERVES THE RIGHT TO CHANGE DESIGN AND / OR DETAILS OF ITS PRODUCTS WITHOUT NOTICE.

**OregonDoor**

FOR MORE INFORMATION  
CALL 541-679-6791

**DETAIL DRAWING SHEET**

Gasket Set 031 (For Pairs)

SHEET OF