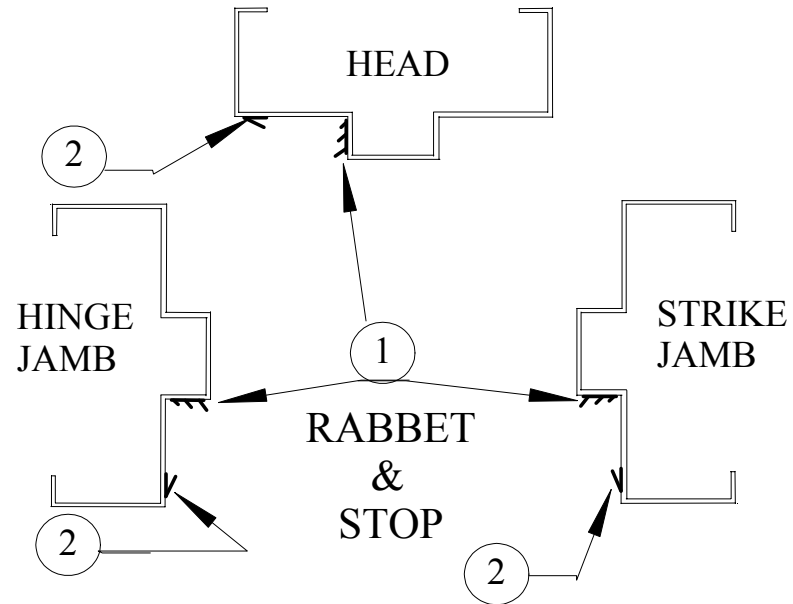
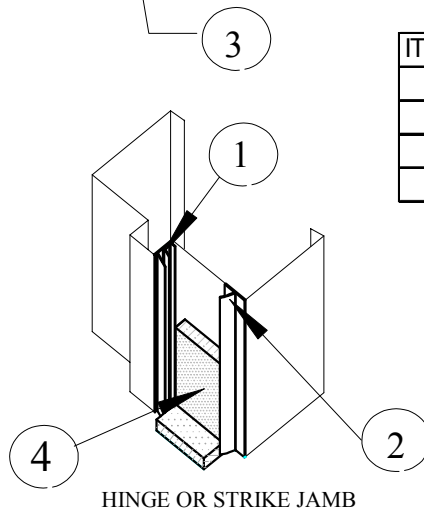
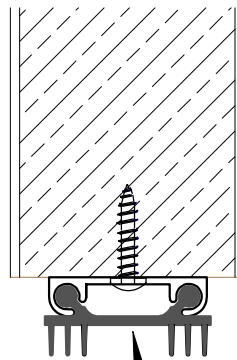


NOTE: ACOUSTICAL FOAM PADS ARE TO BE INSTALLED ON BOTH JAMB LEGS WHERE THEY MEET THE FLOOR OR THRESHOLD BENT AND ADHERED TO BOTH AS SHOWN.



ITEM NO.			
1	NGP	5075	ADHESIVE GASKETING
2	NGP	5060	ADHESIVE GASKETING
3	NGP	12T6 X STC-FH	DOOR BOTTOM SWEEP
4	NGP	60FP	ACOUSTICAL FOAM PAD

NOTES;

1. THIS DRAWING REFERS TO SEAL ORIENTATION ONLY.
2. REFER TO SEAL MANUFACTURERS INSTALLATION INSTRUCTIONS FOR APPROPRIATE INSTALLATION TECHNIQUE AS DETERMINED PER SEAL BEING USED.
3. DRAWING NOT TO SCALE.
4. OREGON DOOR COMPANY RESERVES THE RIGHT TO CHANGE DESIGN AND / OR DETAILS OF ITS PRODUCTS WITHOUT NOTICE.

OregonDoor

FOR MORE INFORMATION
CALL 541-679-6791

DETAIL DRAWING SHEET

Gasket Set 28

SHEET OF