

Flush Dutch Door Machining Sheet

Date: Prepared by: Page:

Architectural Craftsman Job Name: Job #:

Core: Rating: Face Material:



OregonDoor
we build the doors that build your reputation

PO Box 1960 | Winston, OR 97496
t- 541.679.6791 | f- 541.679.5063
oregondoor.com

Stile Finish: Unfinished Finished HPDL Painted Primed

Frame Opening Size: X

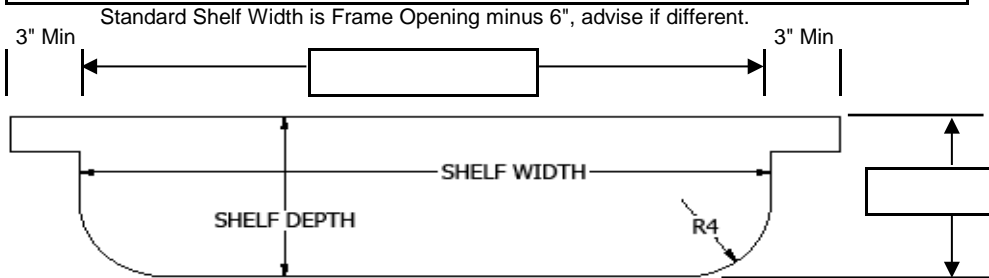
Prefit Door Size: X X

Flushbolt(s) Number & Template:
 Top Bottom Set

Inner Rails: Top: 5" -OR-
Bottom: 5" -OR-

Lockblock(s):
 Yes Qty:

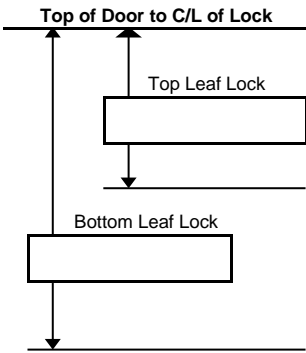
Other Hardware/Remarks:



No Shelf Shelf Stop Face Shelf Hinge Face Shelf Centered Both Faces

Door #'s	Swing

Quantity of doors on this page:



Bottom of Frame to C/L of Strike Top Leaf

Bottom Leaf

Bottom Leaf Lock

Manufacturer/Model

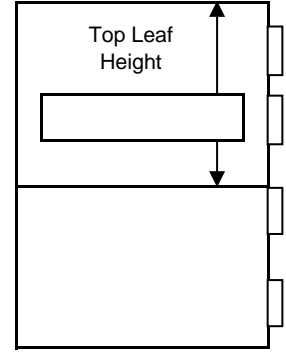
Mfg. #

Trim

Template

BS/Strike

DUTCH DOOR



Elevation

Top Leaf Lock

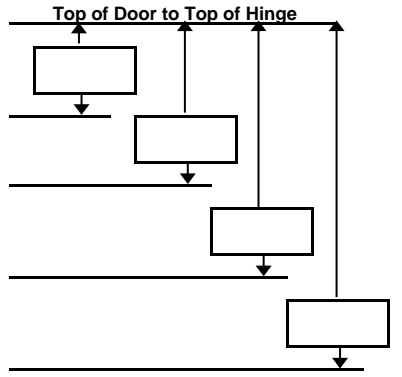
Manufacturer/Model

Mfg. #

Template

Backset

Strike/Keeper



Frame Manufacturer

Wood Frame by VT
Wood Frame Elevation

Hinge

Gauge

Size

Backset on Door

Template