



**OregonDoor**

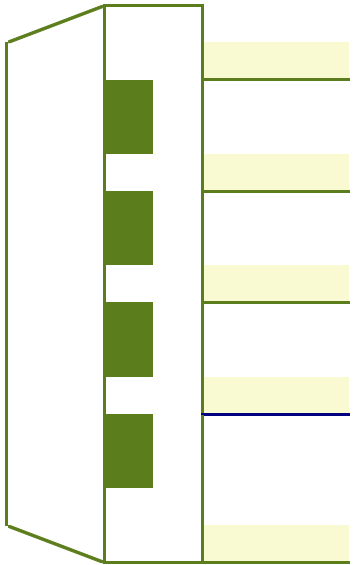
PO Box 1960 | Winston, Oregon 97496  
t: 541.679.6791 | f: 541.679.5063

oregondoor.com

Distributor	
PO Number	
Date	
Job Name	

<b>Drawing Number</b>
<b>Drawing Description</b>

## Door Machining Specifications



### Hinges

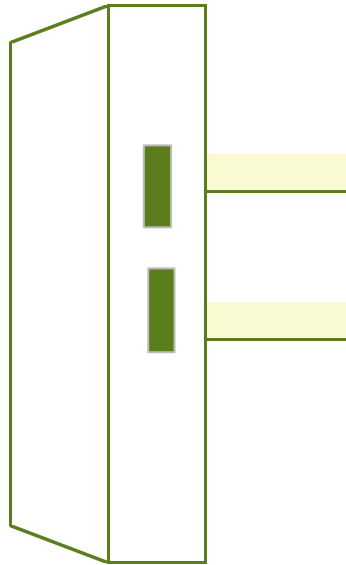
Size	
Backset	
Thickness	

### Corners

1/4 Radius	
5/8 Radius	
Square	

Bevel		Degrees
		Side(s)

Net Width	
-----------	--



### Lock

#### Bored Lock

Face Bore	
Bolt Bore	
Backset	
Face Plate	

#### Dead Lock

Face Bore	
Bolt Bore	
Backset	
Face Plate	

#### Corners

1/4 Radius	
Square	

#### Corners

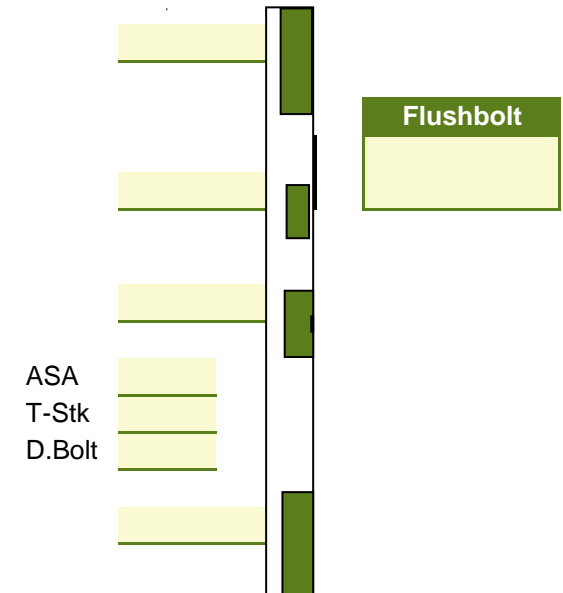
1/4 Radius	
Square	

Cyl Lock Manufacturer	
-----------------------	--

Mortise Lock #		Template #	
----------------	--	------------	--

Special Preps	
1	
2	
3	
4	
5	

Notes





**OregonDoor**

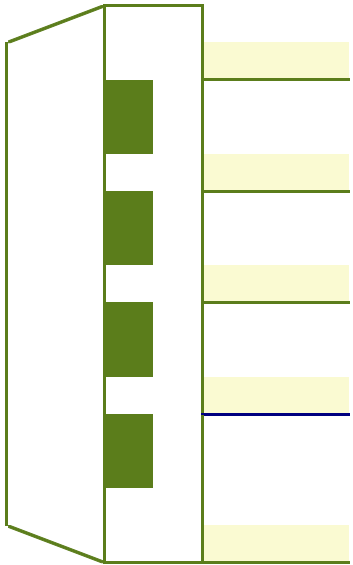
PO Box 1960 | Winston, Oregon 97496  
t: 541.679.6791 | f: 541.679.5063

oregondoor.com

Distributor	
PO Number	
Date	
Job Name	

<b>Drawing Number</b>
<b>Drawing Description</b>

## Door Machining Specifications



### Hinges

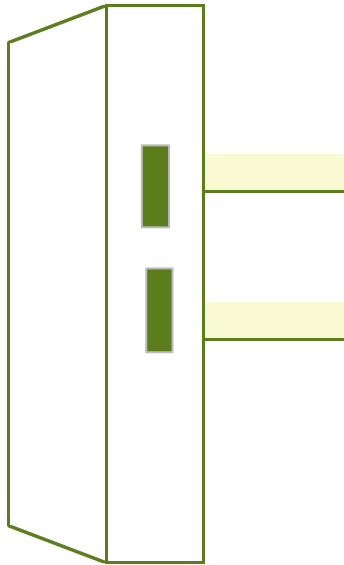
Size	
Backset	
Thickness	

### Corners

1/4 Radius	
5/8 Radius	
Square	

Bevel		Degrees
		Side(s)

Net Width	
-----------	--



### Lock

#### Bored Lock

Face Bore	
Bolt Bore	
Backset	
Face Plate	

#### Dead Lock

Face Bore	
Bolt Bore	
Backset	
Face Plate	

#### Corners

1/4 Radius	
Square	

#### Corners

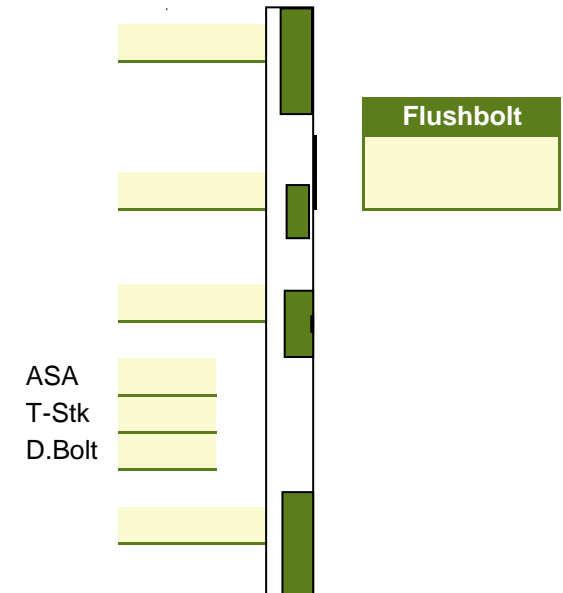
1/4 Radius	
Square	

Cyl Lock Manufacturer	
-----------------------	--

Mortise Lock #		Template #	
----------------	--	------------	--

Special Preps	
1	
2	
3	
4	
5	

Notes





**OregonDoor**

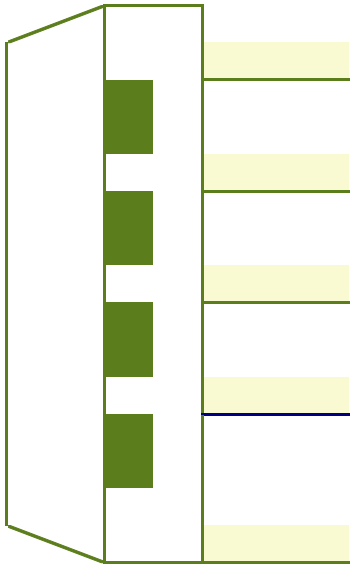
PO Box 1960 | Winston, Oregon 97496  
t: 541.679.6791 | f: 541.679.5063

oregondoor.com

Distributor	
PO Number	
Date	
Job Name	

<b>Drawing Number</b>
<b>Drawing Description</b>

## Door Machining Specifications



### Hinges

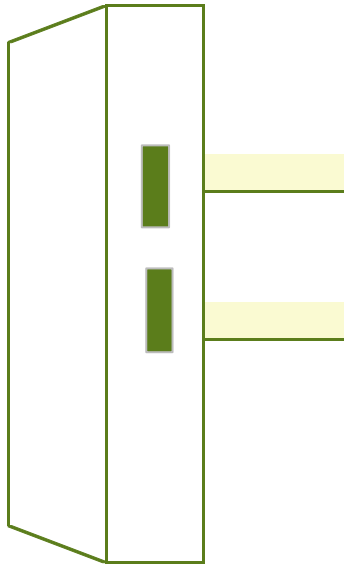
Size	
Backset	
Thickness	

### Corners

1/4 Radius	
5/8 Radius	
Square	

Bevel		Degrees
		Side(s)

Net Width	
-----------	--



### Lock

#### Bored Lock

Face Bore	
Bolt Bore	
Backset	
Face Plate	

#### Dead Lock

Face Bore	
Bolt Bore	
Backset	
Face Plate	

#### Corners

1/4 Radius	
Square	

#### Corners

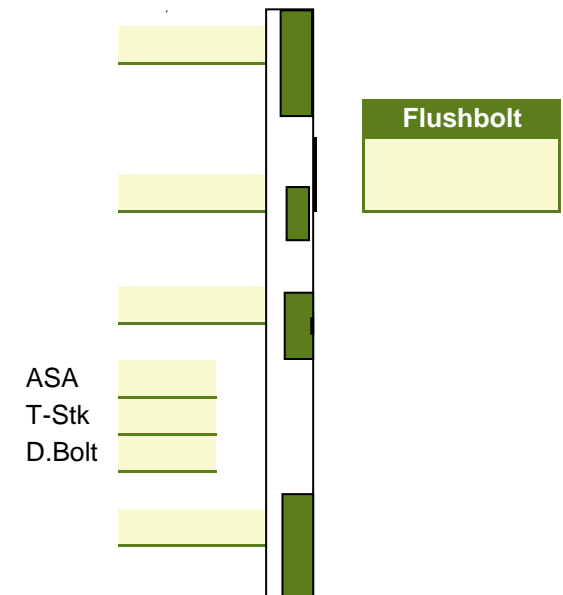
1/4 Radius	
Square	

Cyl Lock Manufacturer	
-----------------------	--

Mortise Lock #		Template #	
----------------	--	------------	--

Special Preps	
1	
2	
3	
4	
5	

Notes





**OregonDoor**

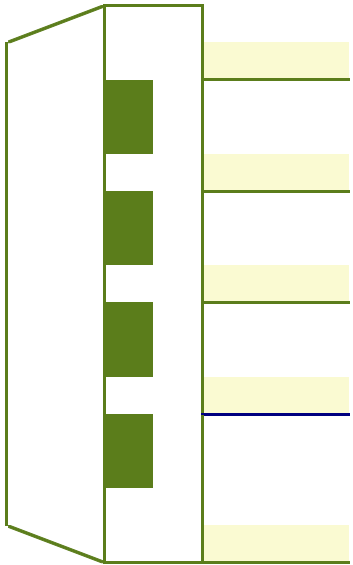
PO Box 1960 | Winston, Oregon 97496  
t: 541.679.6791 | f: 541.679.5063

oregondoor.com

Distributor	
PO Number	
Date	
Job Name	

<b>Drawing Number</b>
<b>Drawing Description</b>

## Door Machining Specifications



### Hinges

Size

Backset

Thickness

### Corners

1/4 Radius

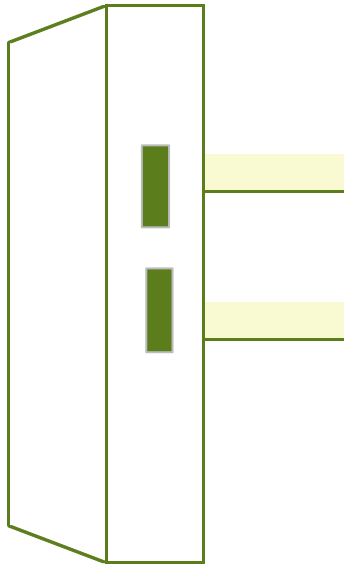
5/8 Radius

Square

Bevel  Degrees

Side(s)

Net Width



### Lock

#### Bored Lock

Face Bore

Bolt Bore

Backset

Face Plate

#### Dead Lock

Face Bore

Bolt Bore

Backset

Face Plate

#### Corners

1/4 Radius

Square

#### Corners

1/4 Radius

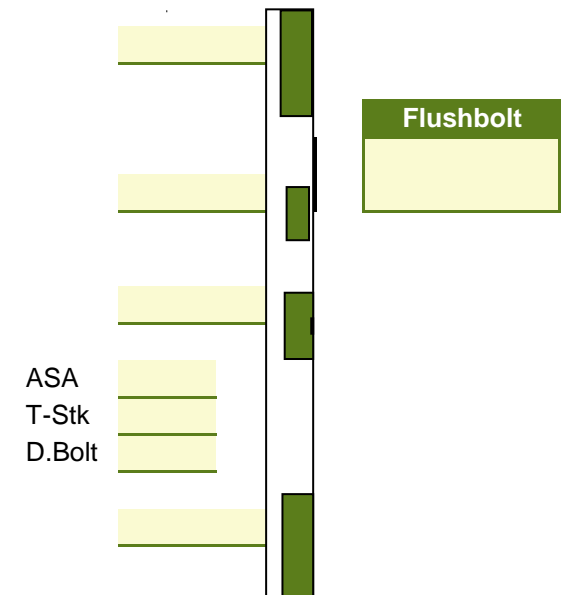
Square

Cyl Lock Manufacturer

Mortise Lock #  Template #

Special Preps	
1	
2	
3	
4	
5	

Notes





**OregonDoor**

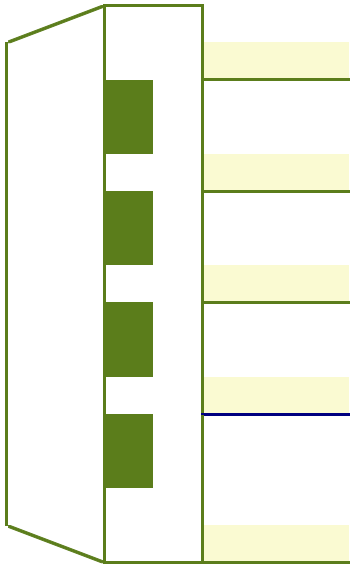
PO Box 1960 | Winston, Oregon 97496  
t: 541.679.6791 | f: 541.679.5063

oregondoor.com

Distributor	
PO Number	
Date	
Job Name	

<b>Drawing Number</b>
<b>Drawing Description</b>

## Door Machining Specifications



### Hinges

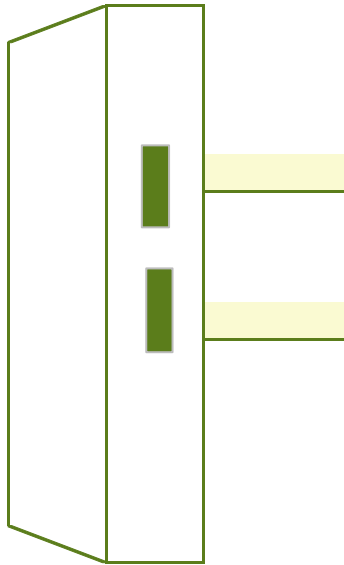
Size	
Backset	
Thickness	

### Corners

1/4 Radius	
5/8 Radius	
Square	

Bevel		Degrees
		Side(s)

Net Width	
-----------	--



### Lock

#### Bored Lock

Face Bore	
Bolt Bore	
Backset	
Face Plate	

#### Dead Lock

Face Bore	
Bolt Bore	
Backset	
Face Plate	

#### Corners

1/4 Radius	
Square	

#### Corners

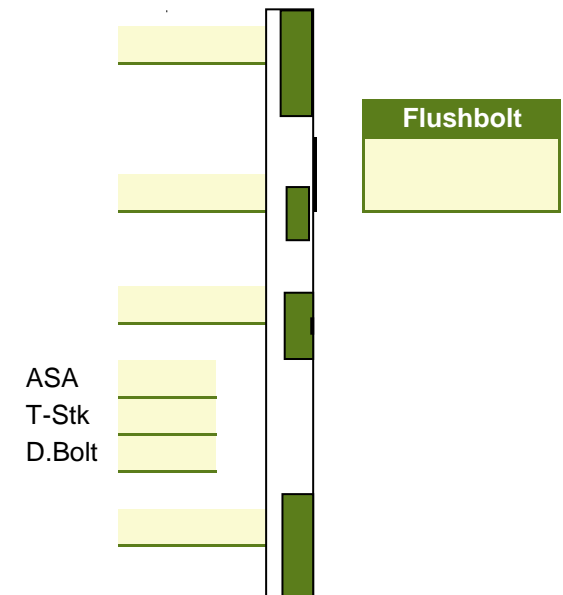
1/4 Radius	
Square	

Cyl Lock Manufacturer	
-----------------------	--

Mortise Lock #		Template #	
----------------	--	------------	--

Special Preps	
1	
2	
3	
4	
5	

Notes





**OregonDoor**

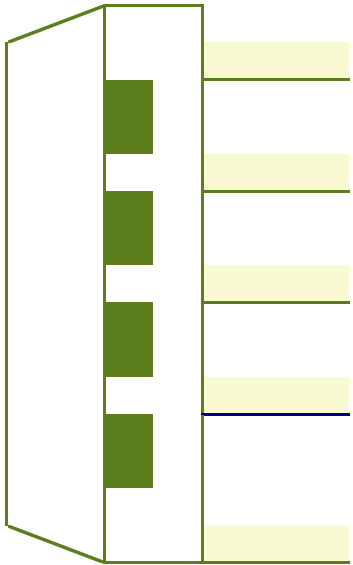
PO Box 1960 | Winston, Oregon 97496  
t: 541.679.6791 | f: 541.679.5063

oregondoor.com

Distributor	
PO Number	
Date	
Job Name	

<b>Drawing Number</b>
<b>Drawing Description</b>

## Door Machining Specifications



### Hinges

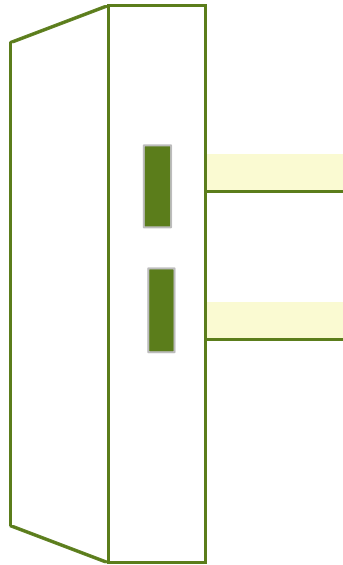
Size	
Backset	
Thickness	

### Corners

1/4 Radius	
5/8 Radius	
Square	

Bevel		Degrees
		Side(s)

Net Width	
-----------	--



### Lock

#### Bored Lock

Face Bore	
Bolt Bore	
Backset	
Face Plate	

#### Dead Lock

Face Bore	
Bolt Bore	
Backset	
Face Plate	

#### Corners

1/4 Radius	
Square	

#### Corners

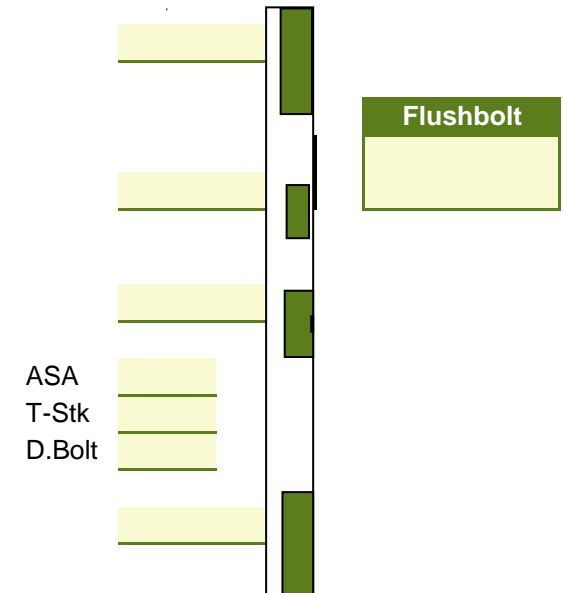
1/4 Radius	
Square	

Cyl Lock Manufacturer	
-----------------------	--

Mortise Lock #		Template #	
----------------	--	------------	--

Special Preps	
1	
2	
3	
4	
5	

Notes





**OregonDoor**

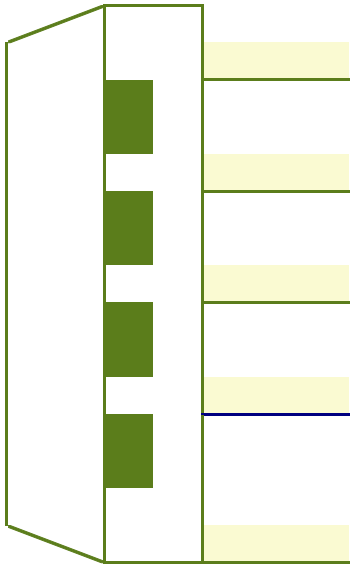
PO Box 1960 | Winston, Oregon 97496  
t: 541.679.6791 | f: 541.679.5063

oregondoor.com

Distributor	
PO Number	
Date	
Job Name	

<b>Drawing Number</b>
<b>Drawing Description</b>

## Door Machining Specifications



### Hinges

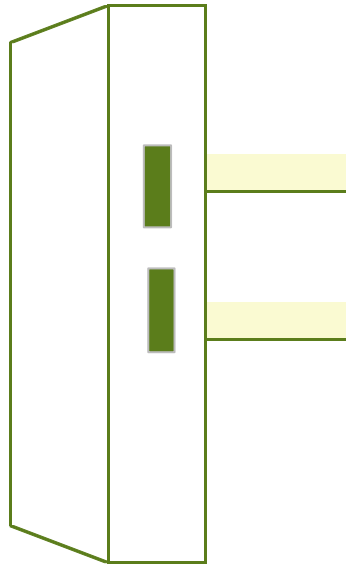
Size	
Backset	
Thickness	

### Corners

1/4 Radius	
5/8 Radius	
Square	

Bevel		Degrees
		Side(s)

Net Width	
-----------	--



### Lock

#### Bored Lock

Face Bore	
Bolt Bore	
Backset	
Face Plate	

#### Dead Lock

Face Bore	
Bolt Bore	
Backset	
Face Plate	

#### Corners

1/4 Radius	
Square	

#### Corners

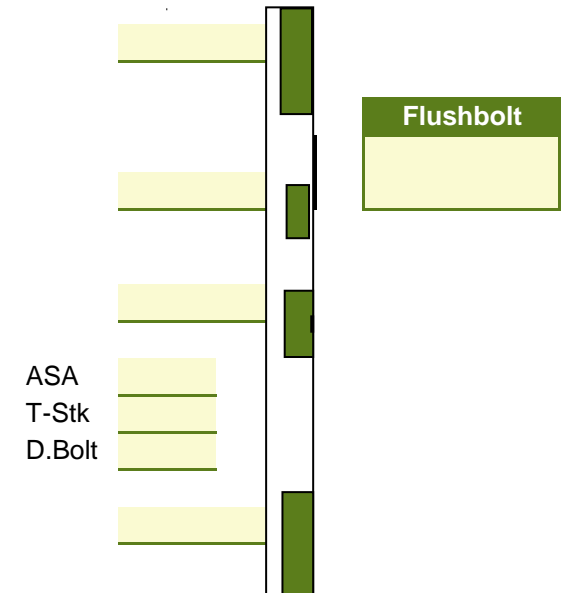
1/4 Radius	
Square	

Cyl Lock Manufacturer	
-----------------------	--

Mortise Lock #		Template #	
----------------	--	------------	--

Special Preps	
1	
2	
3	
4	
5	

Notes





**OregonDoor**

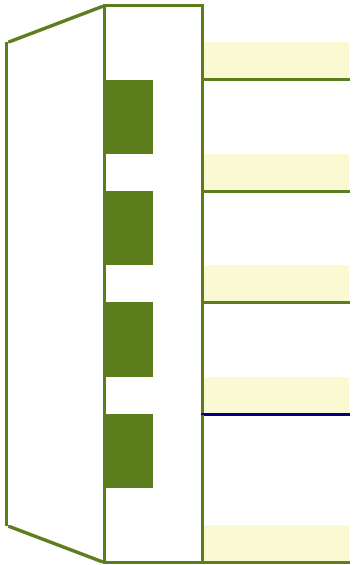
PO Box 1960 | Winston, Oregon 97496  
t: 541.679.6791 | f: 541.679.5063

oregondoor.com

Distributor	
PO Number	
Date	
Job Name	

<b>Drawing Number</b>
<b>Drawing Description</b>

## Door Machining Specifications



### Hinges

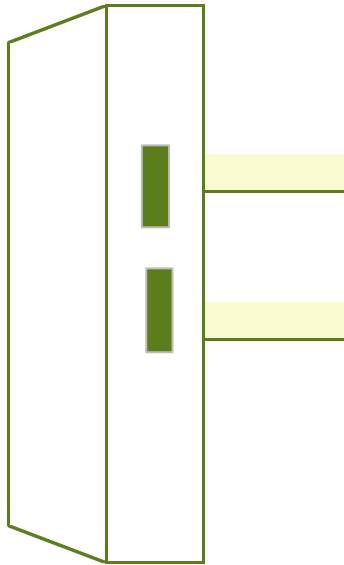
Size	
Backset	
Thickness	

### Corners

1/4 Radius	
5/8 Radius	
Square	

Bevel		Degrees
		Side(s)

Net Width	
-----------	--



### Lock

#### Bored Lock

Face Bore	
Bolt Bore	
Backset	
Face Plate	

#### Dead Lock

Face Bore	
Bolt Bore	
Backset	
Face Plate	

#### Corners

1/4 Radius	
Square	

#### Corners

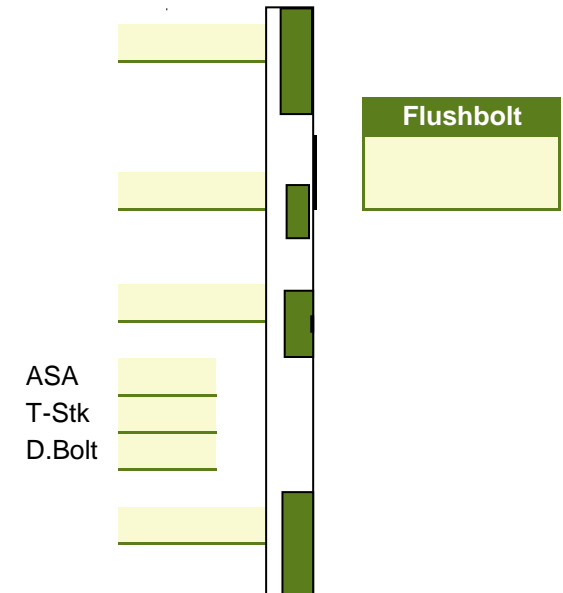
1/4 Radius	
Square	

Cyl Lock Manufacturer	
-----------------------	--

Mortise Lock #		Template #	
----------------	--	------------	--

Special Preps	
1	
2	
3	
4	
5	

Notes







**OregonDoor**

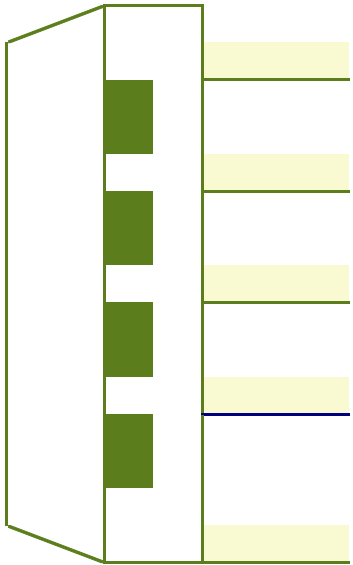
PO Box 1960 | Winston, Oregon 97496  
t: 541.679.6791 | f: 541.679.5063

oregondoor.com

Distributor	
PO Number	
Date	
Job Name	

<b>Drawing Number</b>
<b>Drawing Description</b>

## Door Machining Specifications



### Hinges

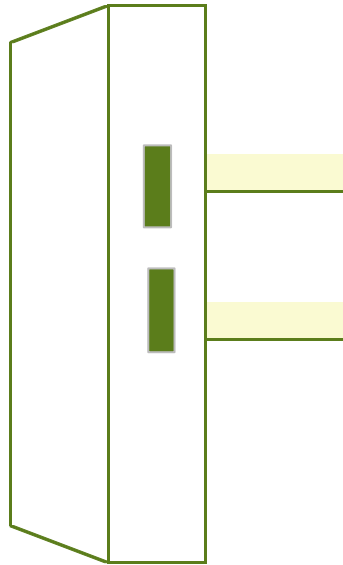
Size	
Backset	
Thickness	

### Corners

1/4 Radius	
5/8 Radius	
Square	

Bevel		Degrees
		Side(s)

Net Width	
-----------	--



### Lock

#### Bored Lock

Face Bore	
Bolt Bore	
Backset	
Face Plate	

#### Dead Lock

Face Bore	
Bolt Bore	
Backset	
Face Plate	

#### Corners

1/4 Radius	
Square	

#### Corners

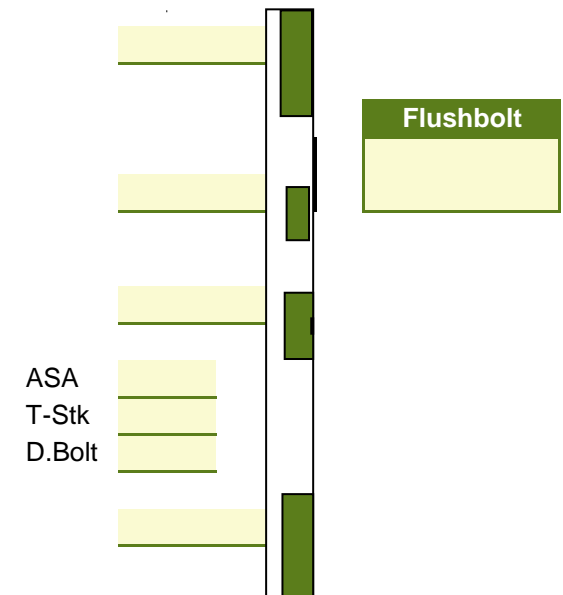
1/4 Radius	
Square	

Cyl Lock Manufacturer	
-----------------------	--

Mortise Lock #		Template #	
----------------	--	------------	--

Special Preps	
1	
2	
3	
4	
5	

Notes





**OregonDoor**

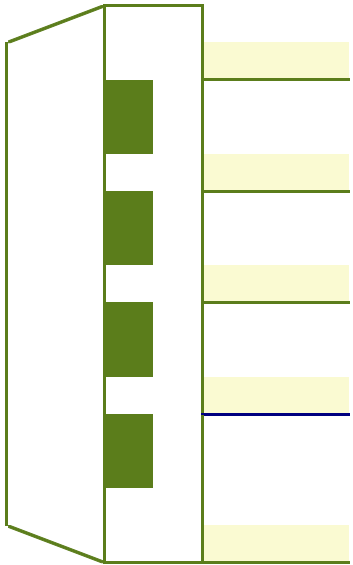
PO Box 1960 | Winston, Oregon 97496  
t: 541.679.6791 | f: 541.679.5063

oregondoor.com

Distributor	
PO Number	
Date	
Job Name	

<b>Drawing Number</b>
<b>Drawing Description</b>

## Door Machining Specifications



### Hinges

Size

Backset

Thickness

### Corners

1/4 Radius

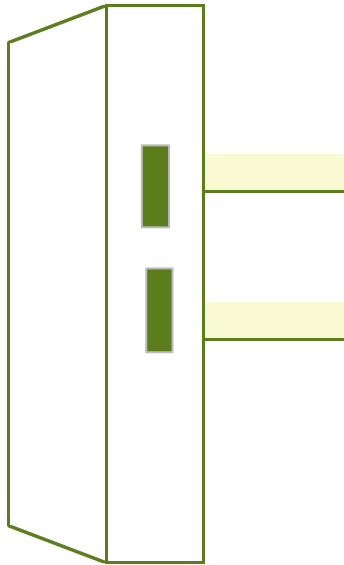
5/8 Radius

Square

Bevel  Degrees

Side(s)

Net Width



### Lock

#### Bored Lock

Face Bore

Bolt Bore

Backset

Face Plate

#### Dead Lock

Face Bore

Bolt Bore

Backset

Face Plate

#### Corners

1/4 Radius

Square

#### Corners

1/4 Radius

Square

Cyl Lock Manufacturer

Mortise Lock #  Template #

Special Preps	
1	<input type="text"/>
2	<input type="text"/>
3	<input type="text"/>
4	<input type="text"/>
5	<input type="text"/>

Notes
<input type="text"/>

