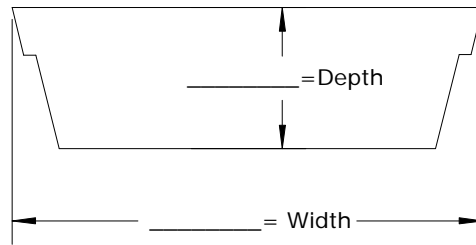
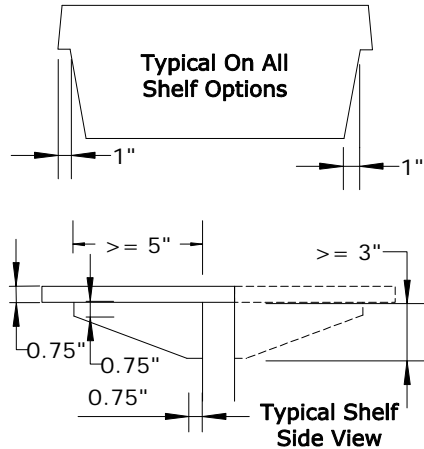




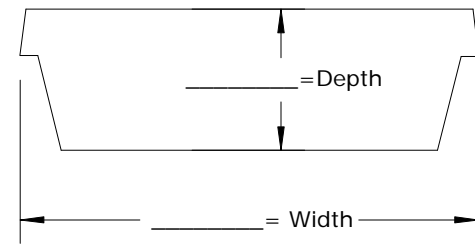
OregonDoor

we build the doors that build your reputation

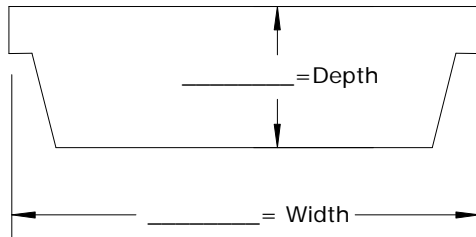
Dutch Door Series Options
DD220 Shelf and Bracket Detail Drawing



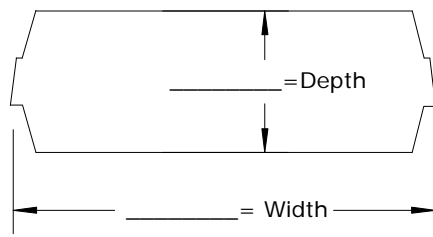
#1. Single Shelf Mounted on Narrow Side of Bevel.



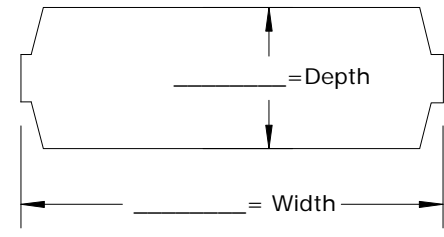
#2. Single Shelf mounted on Wide Side of Bevel.



#3. Single Shelf with Square Edges.



#4. Double Shelf with Beveled Edges.



#5. Double Shelf with Square Edges.

Quantity Ordered: _____ of Item 1 2 3 4 5 Species: _____ Oregon Door Production #: _____

Customer Name: _____ Customer Order #: _____ Date: _____

OregonDoor	541.679.6791 oregondoor.com	<i>Series Options</i>	Door Width	Shelf Depth	DD220
					Sheet _____ of _____